

Permanently installed clamp-on measuring system for water and wastewater pipes

Features

- Highly accurate non-invasive flow and temperature measurement irrespective of the flow direction (bidirectional), with outstanding measurement dynamics, excellent zero-point stability and high repeatability of the measurement results
- Submersible ultrasonic transducers (IP68) provide a reliable and durable solution for flow measurement on buried pipes or for applications where the measuring point can be overflowed
- Simple retrofitting on existing water networks without interruption of supply and disposal and without the need for shaft construction and pipe intrusion, thus saving time and cost

Applications

- Flow and temperature measurement on buried water and wastewater pipes
- Flow and temperature measurement on water and wastewater pipes which can be overflowed



Function 3
 Measurement principle 3
 Calculation of volumetric flow rate 3
 Calculation of sound speed and fluid temperature 4
 Number of sound paths 4

Transmitter 5
 Technical data 5
 Dimensions 6
 2" pipe mounting kit (optional) 7
 Storage 7
 Terminal assignment 8

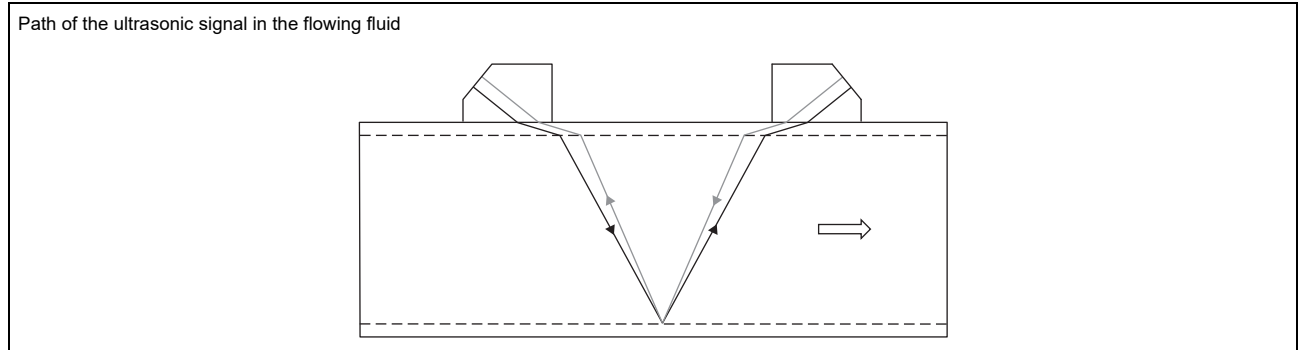
Transducers 9
 Transducer selection 9
 Technical data 9
 Transducer mounting fixture 11
 Coupling materials for transducers 11
 Connection systems 12

Junction box 13
 Technical data 13
 Dimensions 13
 2" pipe mounting kit 14

Function

Measurement principle

The transducers are mounted on the pipe which is completely filled with the fluid. The ultrasonic signals are emitted alternately by a transducer and received by the other. The physical quantities are determined from the transit times of the ultrasonic signals.

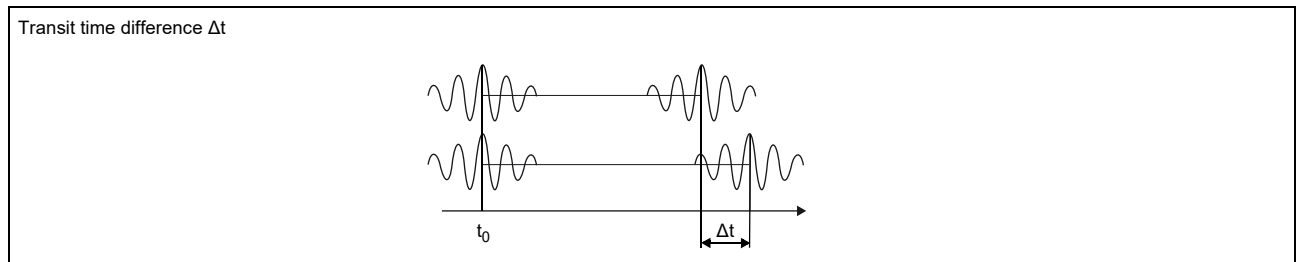


Transit time difference principle

As the fluid where the ultrasound propagates is flowing, the transit time of the ultrasonic signal in flow direction is shorter than the one against the flow direction.

The transit time difference Δt is measured and allows the flowmeter to determine the average flow velocity along the propagation path of the ultrasonic signals. A flow profile correction is then performed in order to obtain the area averaged flow velocity, which is proportional to the volumetric flow rate.

The integrated microprocessors control the entire measuring cycle. The received ultrasonic signals are checked for measurement usability and evaluated for their reliability. Noise signals are eliminated.



HybridTrek

If the gaseous or solid content in the fluid increases occasionally during measurement, a measurement with the transit time difference principle is no longer possible. NoiseTrek mode will then be selected by the flowmeter. This measurement method allows the flowmeter to achieve a stable measurement even with high gaseous or solid content.

The transmitter automatically toggles between the TransitTime and the NoiseTrek mode without having to change the measuring setup.

Calculation of volumetric flow rate

$$\dot{V} = k_{Re} \cdot A \cdot k_a \cdot \frac{\Delta t}{2 \cdot t_y}$$

where

- \dot{V} - volumetric flow rate
- k_{Re} - fluid mechanic calibration factor
- A - cross-sectional pipe area
- k_a - acoustic calibration factor
- Δt - transit time difference
- t_y - average of transit times in the fluid

Calculation of sound speed and fluid temperature

The fluid sound speed can be determined from the transit times in the fluid and the geometry of the measuring point. The sound speed is fluid specific and temperature dependent. This curve is stored in the fluid data set for water. Thus, the fluid temperature can be determined from the sound speed.

Number of sound paths

The number of sound paths is the number of transits of the ultrasonic signal through the fluid in the pipe. Depending on the number of sound paths, the following methods of installation exist:

- **reflection arrangement**

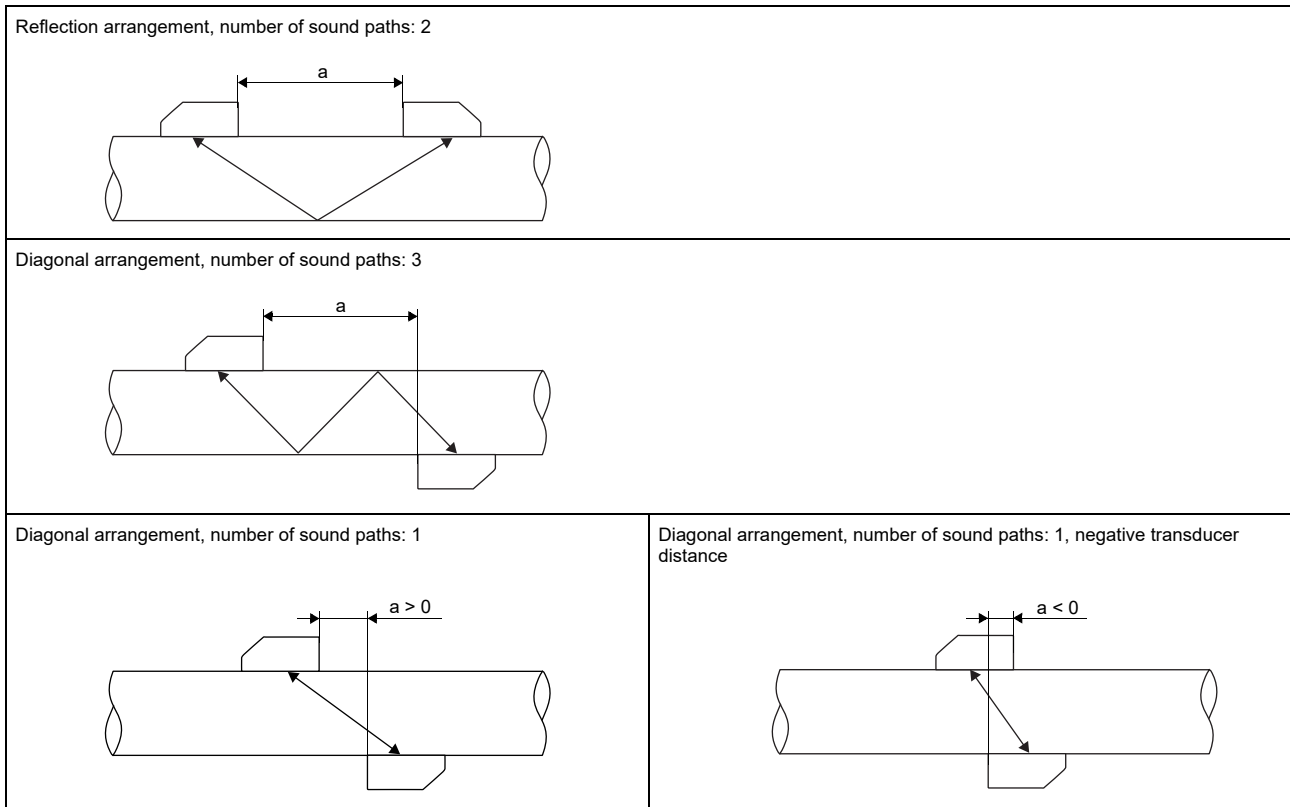
The number of sound paths is even. The transducers are mounted on the same side of the pipe. Correct positioning of the transducers is easy.

- **diagonal arrangement**

The number of sound paths is odd. The transducers are mounted on opposite sides of the pipe. In case of high signal attenuation by the fluid or pipe, diagonal arrangement with 1 sound path is used.

The preferred method of installation depends on the application. While increasing the number of sound paths increases the accuracy of the measurement, signal attenuation increases as well. The optimum number of sound paths for the parameters of the application will be determined automatically by the transmitter.

As the transducers can be mounted with the transducer mounting fixture in reflection arrangement or diagonal arrangement, the number of sound paths can be adjusted optimally for the application.



a - transducer distance

Transmitter

Technical data

		FLUXUS F532WD (analog outputs)	FLUXUS F532WD (process interface)
			
design		field device with 1 measuring channel	
application		flow measurement at water pipes	
measurement			
measurement principle		transit time difference correlation principle, automatic NoiseTrek selection for measurements with high gaseous or solid content	
flow velocity	m/s	0.01...25	
repeatability		0.15 % MV ±0.005 m/s	
fluid		water	
temperature compensation		corresponding to the recommendations in ANSI/ASME MFC-5.1-2011	
measurement uncertainty (volumetric flow rate)			
measurement uncertainty of the measuring system ¹		±0.3 % MV ±0.005 m/s	
measurement uncertainty at the measuring point ²		±1 % MV ±0.005 m/s	
measurement uncertainty (temperature from sound speed)			
measurement uncertainty at the measuring point ²		±0.2 K (fluid temperature: 0...30 °C, inner pipe diameter: min. 200 mm)	
transmitter			
power supply		<ul style="list-style-type: none"> • 90...250 V/50...60 Hz or • 11...32 V DC 	
power consumption	W	< 10	
number of measuring channels		1	
damping	s	0...100 (adjustable)	
measuring cycle	Hz	100...1000	
response time	s	1	
housing material		aluminum, powder coated	
degree of protection		IP66	
dimensions	mm	see dimensional drawing	
weight	kg	2.25	
fixation		wall mounting, optional: 2" pipe mounting	
ambient temperature	°C	-20...+60	
display		128 x 64 pixels, backlight	
menu language		English, German, French, Spanish, Dutch, Russian, Polish, Turkish, Italian, Chinese	
measuring functions			
physical quantities		volumetric flow rate, mass flow rate, flow velocity	
totaliser		volume, mass	
diagnostic functions		sound speed, signal amplitude, SNR, SCNR, standard deviation of amplitudes and transit times	
communication interfaces			
service interfaces		measured value transmission, parametrisation of the transmitter: <ul style="list-style-type: none"> • USB • LAN 	measured value transmission, parametrisation of the transmitter: <ul style="list-style-type: none"> • USB • LAN
process interfaces		-	max. 1 option: <ul style="list-style-type: none"> • Modbus RTU • BACnet MS/TP • M-Bus • HART • Modbus TCP • BACnet IP
accessories			
data transmission kit		USB cable	
software		<ul style="list-style-type: none"> • FluxDiagReader: reading of measured values and parameters, graphical representation • FluxDiag (optional): reading of measurement data, graphical representation, report generation, parametrisation of the transmitter 	
data logger			
loggable values		all physical quantities and totalised physical quantities	
capacity		max. 800 000 measured values	

¹ with aperture calibration of the transducers

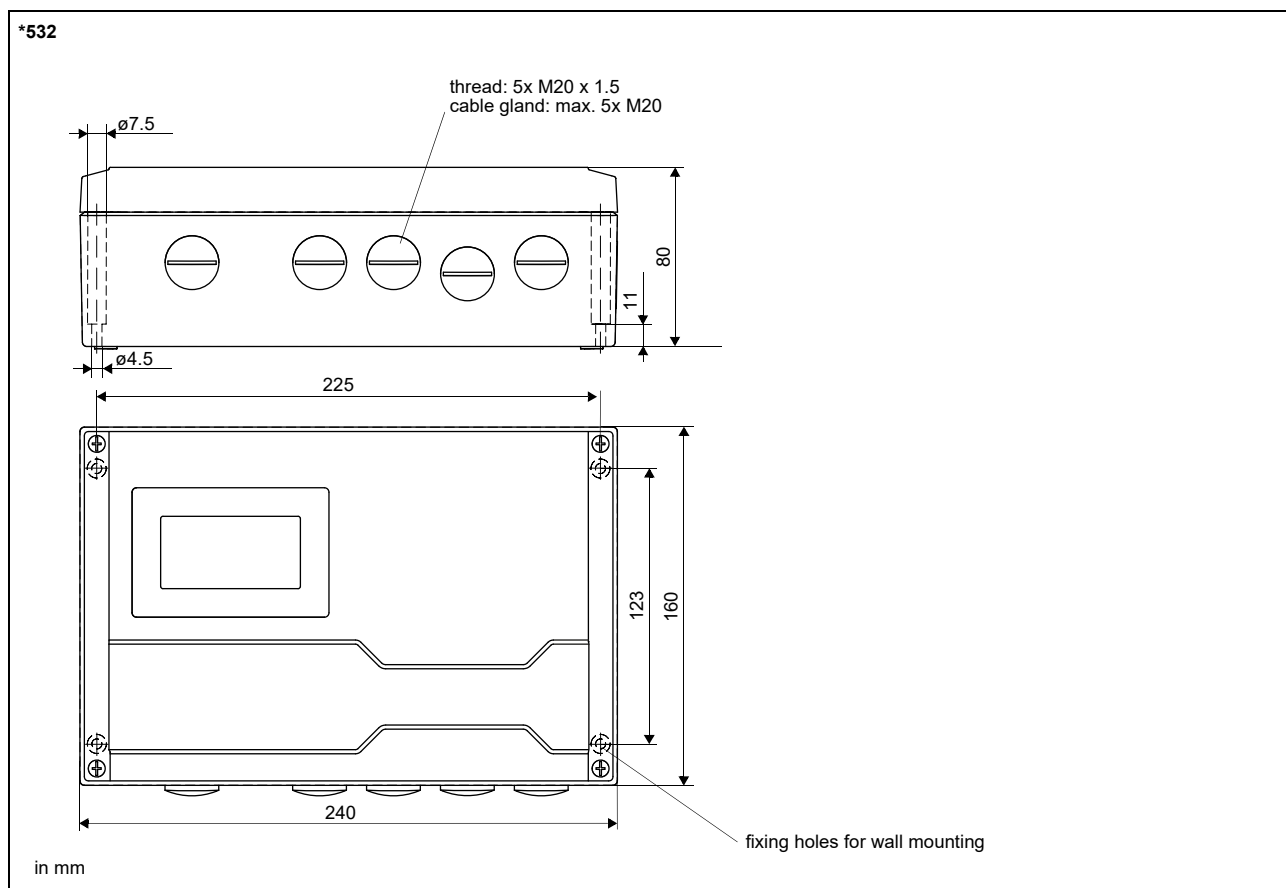
² for transit time difference principle and reference conditions

		FLUXUS F532WD (analog outputs)	FLUXUS F532WD (process interface)
outputs			
The outputs are galvanically isolated from the transmitter.			
• switchable current output			
configurable according to NAMUR NE43 All switchable current outputs are jointly switched to active or passive.			
number		1, optional: 2	optional: 1 (HART)
range	mA	4...20 (3.2...24)	4...20 (3.2...24)
accuracy		0.04 % MV ±3 µA	0.04 % MV ±3 µA
active output		$R_{ext} < 530 \Omega$	$R_{ext} < 530 \Omega$
passive output		$U_{ext} = 9...30 \text{ V}$, depending on R_{ext} ($R_{ext} < 458 \Omega$ at 20 V)	$U_{ext} = 9...30 \text{ V}$, depending on R_{ext} ($R_{ext} < 458 \Omega$ at 20 V)
current output in HART mode			
• range	mA	-	4...20 (3.5...22)
• active output		-	$R_{ext} = 250...530 \Omega$
• passive output		-	$U_{ext} = 9...30 \text{ V DC}$
• digital output			
number		2, optional: 4	-
functions		<ul style="list-style-type: none"> • frequency output • binary output • pulse output 	-
operating parameters		$U_{ext} = (8.2 \pm 0.1) \text{ V DC}$	-
frequency output			
• range	kHz	0...10	-
binary output			
• binary output as alarm output		limit, change of flow direction or error	-
pulse output			
• pulse value	units	0.01...1000	-
• pulse width	ms	0.05...1000	-

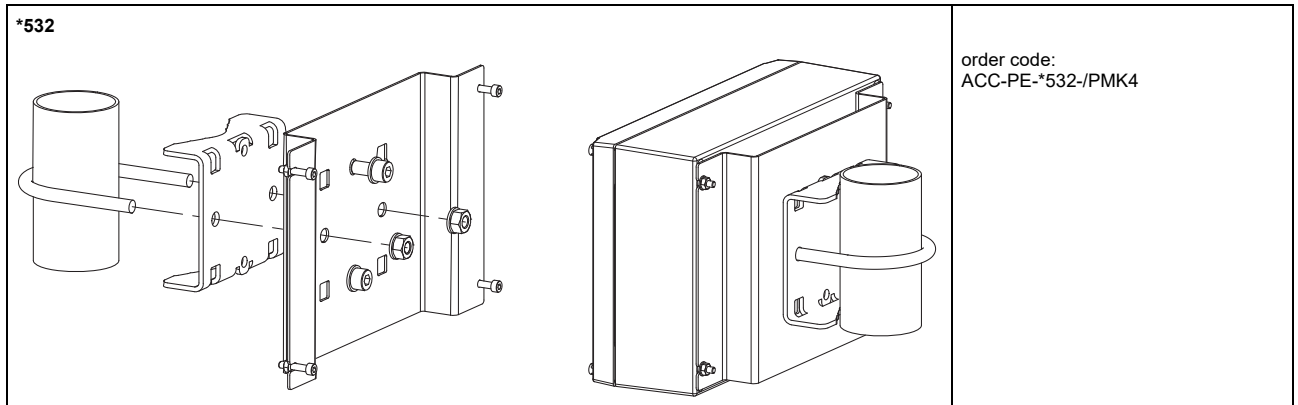
¹ with aperture calibration of the transducers

² for transit time difference principle and reference conditions

Dimensions



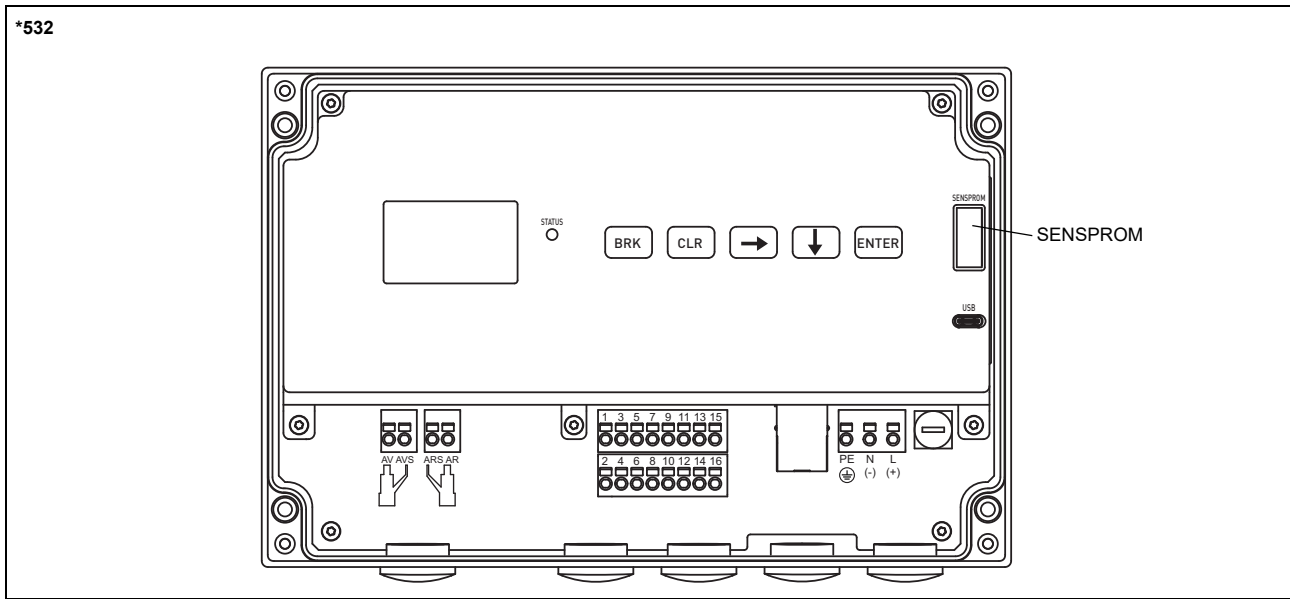
2" pipe mounting kit (optional)



Storage

- do not store outdoors
- store within the original package
- store in a dry and dust-free place
- protect against sunlight
- keep all openings closed
- storing temperature: -20...+60 °C

Terminal assignment



power supply ¹			
terminal	connection (AC)	terminal	connection (DC)
PE	earth	PE	earth
N	neutral	(-)	-
L	phase	(+)	+

transducers, extension cable			
terminal	connection	transducer	
AV	signal	↑	
AVS	internal shield		
ARS	internal shield	⌋	
AR	signal		
cable gland	external shield	↑ ⌋	

outputs ^{1, 2}	
terminal	connection
5+, 6- 13+, 14-	passive current output
5-, 6+ 13-, 14+	active current output
1+, 2- 3+, 4- 9+, 10- 11+, 12-	digital output
15+, 16-	passive current output/HART
15-, 16+	active current output/HART

communication interfaces		
terminal	connection	communication interface
15	signal +	<ul style="list-style-type: none"> • Modbus RTU¹ • BACnet MS/TP¹ • M-Bus¹
16	signal -	
USB	type C Hi-Speed USB 2.0 Device	service (FluxDiag/FluxDiagReader)
LAN	RJ45 10/100 Mbps Ethernet	<ul style="list-style-type: none"> • service (FluxDiag/FluxDiagReader) • Profibus PA • FF H1 • Modbus TCP • BACnet IP

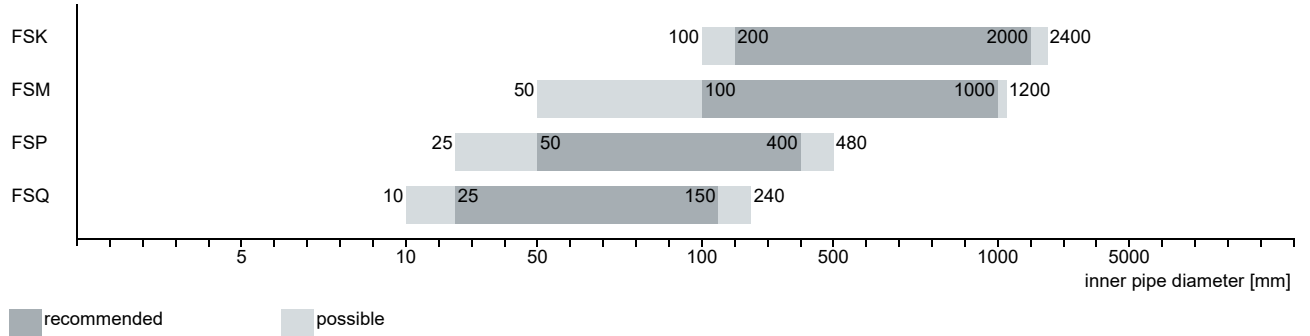
¹ cable (by customer): e.g. flexible wires, with insulated wire ferrules, wire cross-section: 0.25...2.5 mm²

² The number, type and terminal assignment are customised.

Transducers

Transducer selection

transducer order code

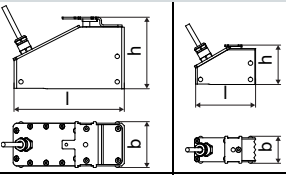


Technical data

Shear wave transducers

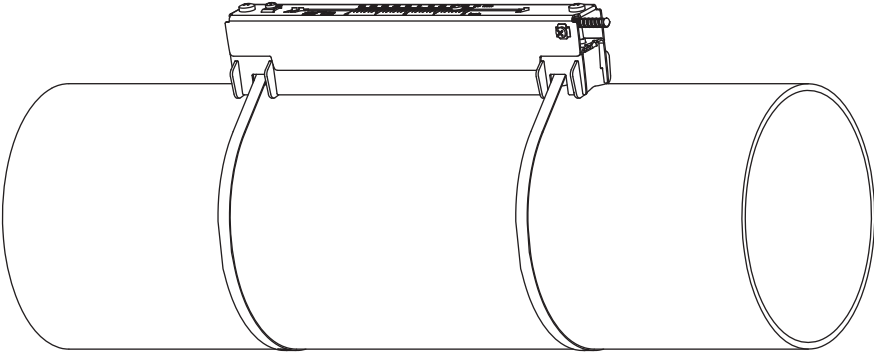
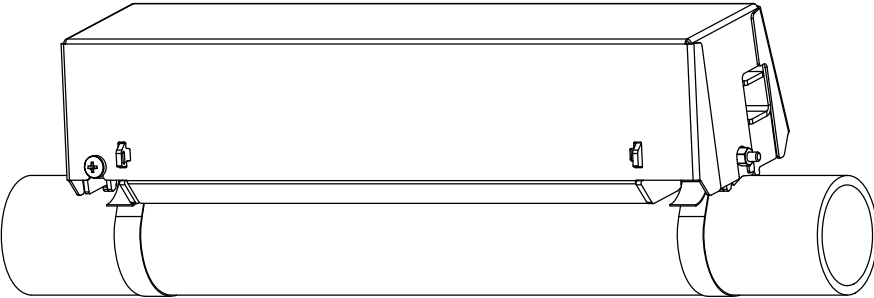
order code		FSK-N**T1	FSM-N**T1	FSP-N**T1	FSQ-N**T1
technical type		CDK1N53	CDM2N53	CDP2N53	CDQ2N53
transducer frequency	MHz	0.5	1	2	4
inner pipe diameter d					
min. extended	mm	100	50	25	10
min. recommended	mm	200	100	50	25
max. recommended	mm	2000	1000	400	150
max. extended	mm	2400	1200	480	240
pipe wall thickness					
min.	mm	5	2.5	1.2	0.6
material					
housing		PEEK with stainless steel cover 316L (1.4404)			
contact surface		PEEK			
degree of protection		IP67			
transducer cable					
type	m	1699			
length	m	5	4	3	
dimensions					
length l	mm	126.5	64	40	
width b	mm	51	32	22	
height h	mm	67.5	40.5	25.5	
dimensional drawing					
weight (without cable)	kg	0.36	0.066	0.016	
pipe surface temperature	°C	-40...+130			
ambient temperature	°C	-40...+130			
temperature compensation		x			

Shear wave transducers (IP68)

order code		FSK-N**T1/IP68	FSM-N**T1/IP68	FSP-N**T1/IP68
technical type		CDK1LI8	CDM2LI8	CDP2LI8
transducer frequency	MHz	0.5	1	2
inner pipe diameter d				
min. extended	mm	100	50	25
min. recommended	mm	200	100	50
max. recommended	mm	2000	1000	400
max. extended	mm	2400	1200	480
pipe wall thickness				
min.	mm	5	2.5	1.2
material				
housing		PEEK with stainless steel cover 316Ti (1.4571)		
contact surface		PEEK		
degree of protection		IP68 ¹		
transducer cable				
type		2550		
length	m	12		
dimensions				
length l	mm	130	72	
width b	mm	54	32	
height h	mm	83.5	46	
dimensional drawing				
weight (without cable)	kg	0.43	0.085	
pipe surface temperature	°C	-40...+100		
ambient temperature	°C	-40...+100		
temperature compensation		x		

¹ test conditions: 3 months/2 bar (20 m)/20 °C

Transducer mounting fixture

<p>Variofix L</p> 	<p>material: stainless steel 316Ti (1.4571), 316L (1.4404), 17-7PH (1.4568) inner length: VLK: 348 mm, option IP68: 368 mm VLM: 234 mm VLQ: 176 mm dimensions: VLK: 423 x 90 x 93 mm option IP68: 443 x 94 x 105 mm VLM: 309 x 57 x 63 mm VLQ: 247 x 43 x 47 mm</p>
<p>Variofix C (VC)</p> 	<p>material: stainless steel 316Ti (1.4571) inner length: VCK-*S: 350 mm VCM: 400 mm VCQ: 250 mm dimensions: VCK-*S: 410 x 126 x 125 mm VCM: 460 x 96 x 82 mm VCQ: 310 x 85 x 71 mm</p>

Coupling materials for transducers

type	ambient temperature °C
coupling foil type VT	-10...+200

Connection systems

connection system T1		
connection with extension cable	direct connection	transducers technical type
		****53
		****L*

Cable

transducer cable			
type		1699	2550
weight	kg/m	0.094	0.035
ambient temperature	°C	-55...+200	-40...+100
cable jacket			
material		PTFE	PUR
outer diameter	mm	2.9	5.2 ±0.2
thickness	mm	0.3	0.9
colour		brown	grey
shield		x	x
sheath			
material		stainless steel 316Ti (1.4571)	-
outer diameter	mm	8	-

extension cable	
type	2615
order code	ACC-PE- GNNN-/EXEXXX
weight	kg/m 0.18
ambient temperature	°C -30...+70
properties	halogen-free fire propagation test according to IEC 60332-1 combustion test according to IEC 60754-2
cable jacket	
material	PUR
outer diameter	mm 12
thickness	mm 2
colour	black
shield	x

XXXX - cable length in m

Cable length

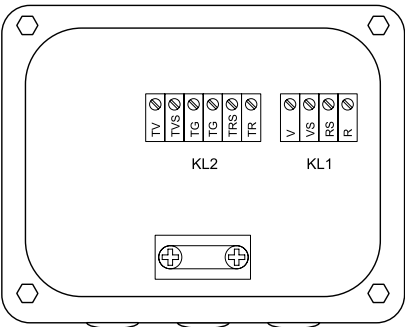
transducer frequency		K		M, P		Q	
transducers technical type		x	l	x	l	x	l
*D**5*	m	5	≤ 300	4	≤ 300	3	≤ 90
****L*	m	12	≤ 300	12	≤ 300	-	-

x - transducer cable length

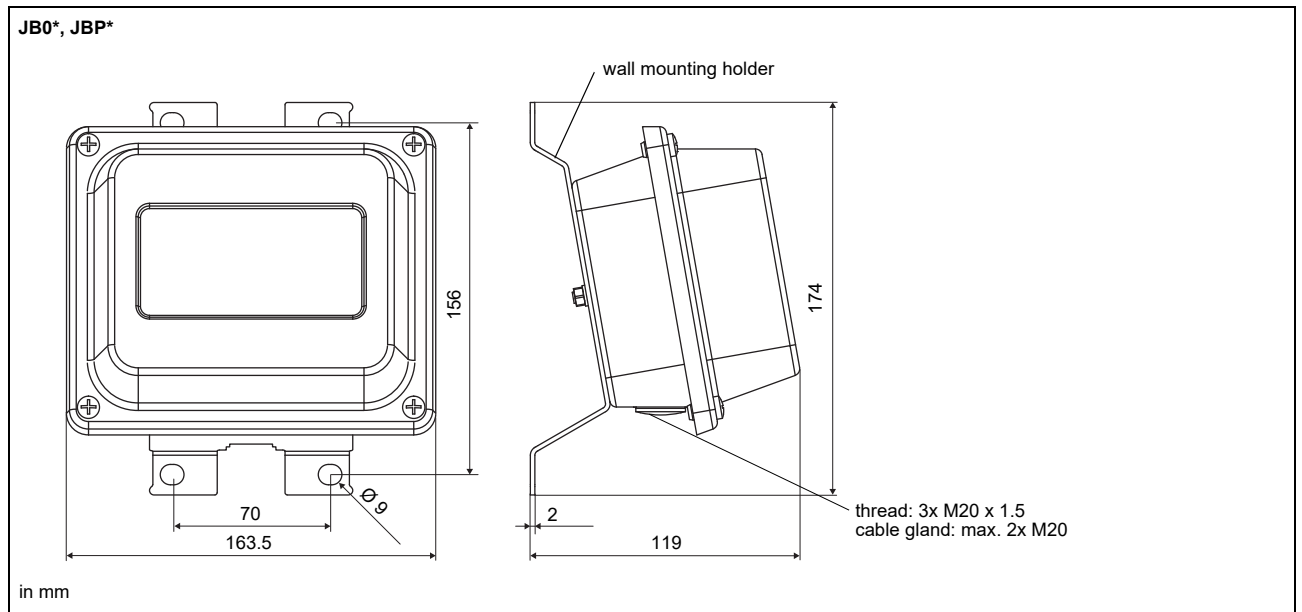
l - max. length of extension cable (depending on the application)

Junction box

Technical data

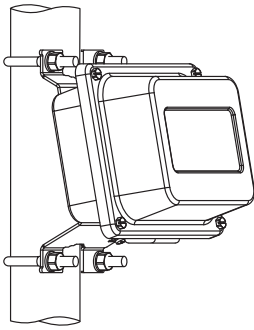
JB05																													
weight	kg	1.2 kg																											
fixation		wall mounting optional: 2" pipe mounting																											
material																													
housing		stainless steel 316L (1.4404)																											
gasket		silicone																											
degree of protection		IP67																											
ambient temperature	°C	-40...+80																											
<div style="display: flex; justify-content: space-between;"> <div style="width: 45%;"></div> <div style="width: 45%;"> <p>Connection</p>  <p>Transducers</p> <table border="1"> <thead> <tr> <th>terminal strip</th> <th>terminal</th> <th>connection</th> <th>transducer</th> </tr> </thead> <tbody> <tr> <td rowspan="4">KL1</td> <td>V</td> <td>signal</td> <td rowspan="2">↑</td> </tr> <tr> <td>VS</td> <td>internal shield</td> </tr> <tr> <td>RS</td> <td>internal shield</td> <td rowspan="2">↕</td> </tr> <tr> <td>R</td> <td>signal</td> </tr> </tbody> </table> <p>Extension cable</p> <table border="1"> <thead> <tr> <th>terminal strip</th> <th>terminal</th> <th>connection</th> </tr> </thead> <tbody> <tr> <td rowspan="4">KL2</td> <td>TV</td> <td>signal</td> </tr> <tr> <td>TVS</td> <td>internal shield</td> </tr> <tr> <td>TRS</td> <td>internal shield</td> </tr> <tr> <td>TR</td> <td>signal</td> </tr> </tbody> </table> </div> </div>			terminal strip	terminal	connection	transducer	KL1	V	signal	↑	VS	internal shield	RS	internal shield	↕	R	signal	terminal strip	terminal	connection	KL2	TV	signal	TVS	internal shield	TRS	internal shield	TR	signal
terminal strip	terminal	connection	transducer																										
KL1	V	signal	↑																										
	VS	internal shield																											
	RS	internal shield	↕																										
	R	signal																											
terminal strip	terminal	connection																											
KL2	TV	signal																											
	TVS	internal shield																											
	TRS	internal shield																											
	TR	signal																											

Dimensions



2" pipe mounting kit

JB**



order code:
ACC-PE-GNNN-/JBPMK4